

INSTALLATION INSTRUCTIONS

Ogee Notched Gutter

Preparation of Gutter

1. Gutter must be squarely cut and all burrs removed, Polypipe recommend the use of a fine toothed handsaw. Extra care must be taken in damp conditions due to the slippery nature of the gutter surface.

2. Where possible Notched gutter should be cut at the mid-point of the notch as indicated by the mark.

Gutter Supports

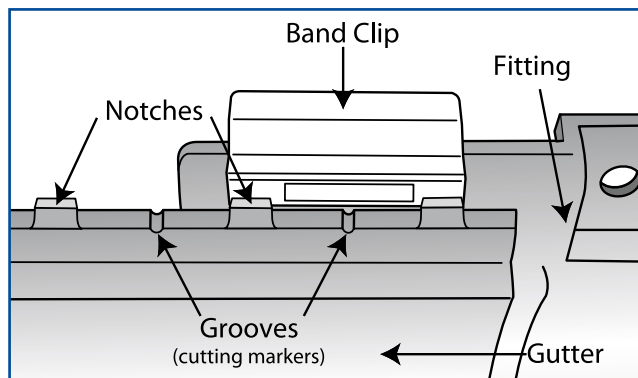
1. Fascia Brackets should be fixed at centres not exceeding 1.0 metre.

Gutter Fittings

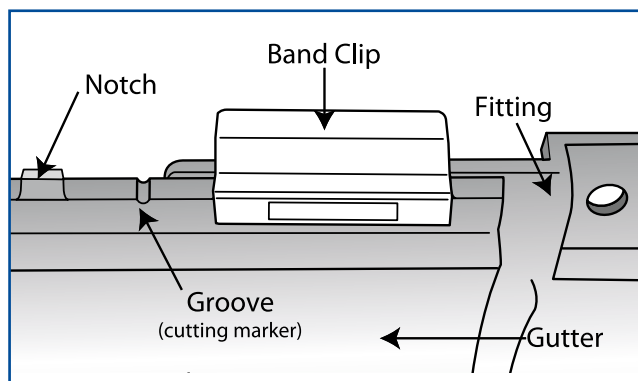
1. Polypipe Notched Gutter uses a flexible band clip to secure the gutter. There is no need to remove this clip to complete installation.

2. When offering the gutter into the fitting, the notches need to be matched to the band clip as shown in the diagram opposite.

3. Insertion depths are marked on all jointing fittings. However, the specific installation of notched gutter DOES NOT REQUIRE THE GUTTER TO BE FITTED TO THE "INSERT TO HERE" LINE. The notches allow for sufficient expansion and contraction of the gutter in the fitting.



Position of notches prior to installation, demonstrating position



Position of gutter in Union, showing gutter fitted under clip.

