

ROCKWOOL®

FIREPRO®

50mm Ablative Coated Batt

Firestopping solution for voids in walls and floors

As part of the comprehensive FIREPRO® range of fire protection products, the ROCKWOOL Ablative Coated Batt is intended to act as an airseal barrier to reinstate fire resistance and acoustic* performances.



The following NBS Plus clauses include
'Ablative Coated Batt': P12-41, P12-325, P12-360, P12-365

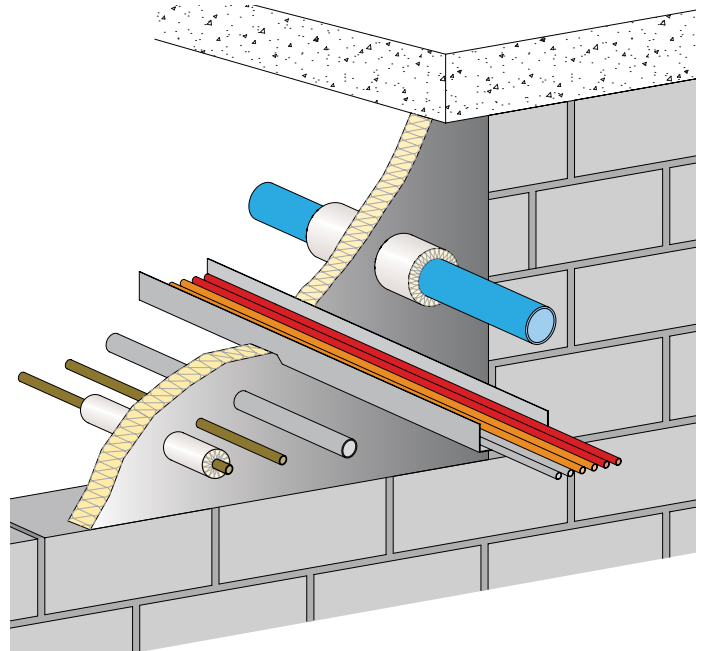
50mm Ablative Coated Batt

The ROCKWOOL Ablative Coated Batt is intended to act as an airseal barrier to reinstate the fire resistance and acoustic* performances of concrete floors, masonry walls and dry wall systems when voids have been created for the passage of services. This includes pipes made of plain or stainless steel, cast iron, copper, polypropylene (PP), high density polythene (HDPE), PVC and ABS along with all sheathed cables up to 80mm and supported cable bundles up to 100mm.

Ablative Coated Batts can also be used as a 'head-of-wall' barrier to extend the fire resistance and acoustic performances of drywall or masonry walls that finish at suspended ceiling height, up to the concrete soffit above. For use in concrete floors please contact the Rockwool Technical Solutions team for size limitations.

In response to this growing and increasingly important market, ROCKWOOL has re-designed and tested the product to the dedicated fire resistance standard for penetration seals - EN 1366-3. Due to its specific nature, this document is intended to supersede the traditional BS 476: Parts 20 and 22 previously used for fire seal testing in the UK construction market.

The tests have proved the capability of a single 50mm Batt to provide up to 2 hours fire resistance integrity, insulation ratings are dependent upon the service penetration. Where 4 hour integrity and insulation are required we recommend the use of our 60mm Coated Batt. Please refer to page 8 of the ROCKWOOL Firepro® brochure for the 60mm product.



General benefits:

- Excellent fire resistance from single thickness Batt
- Standard size: 1200 x 600 x 50mm
- Suitable for sealing wall and floor voids containing most commonly used services
- Can be used as a blank seal and a head of wall seal
- Lightweight and simple installation
- Maintenance free
- 160kg/m³ density base material provides additional benefits of a smoke and acoustic seal
- Tested for air tightness

50mm Ablative Coated Batt

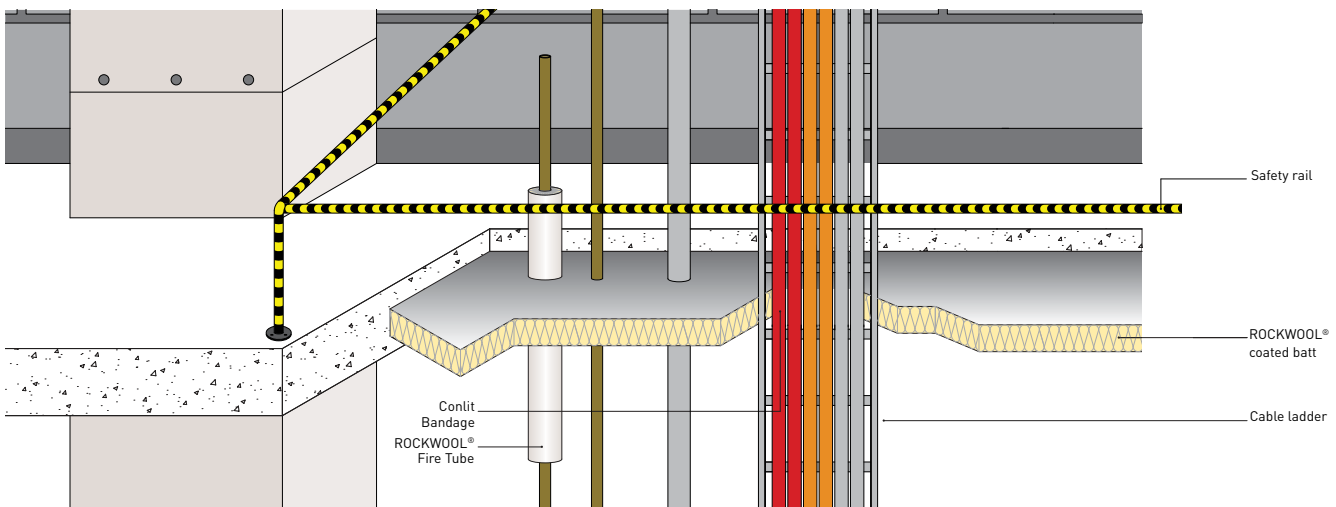


Figure 2

Installation

FIREPRO® Ablative Coated Batts are manufactured by spraying specially produced, high density ROCKWOOL insulation with an additional fire protection ablative coating. This is a fully automated process to ensure an even thickness of coating.

To install, the Batts are simply cut and a bead of Acoustic Intumescent Sealant applied around the external edges. They are then friction fitted between the services and the wall or floor edges to completely seal the void. Where butt joints are required between cut sections of adjacent batts, Acoustic Intumescent Sealant and/or FIREPRO® Glue is applied to both mating edges in order to form a fire tight bond between individual pieces of insulation. Contact the Technical Solutions team on 01656 862621 for specific details on blank seals and dampers.

All joints, including those around the perimeter of the Batt, are then pointed with FIREPRO® Acoustic Intumescent Sealant to complete the seal.

Plastic pipes (PVC, ABS and HDPE etc) must be sleeved with FIREPRO® Insulated Fire Sleeves at the point at which they pass through the Ablative Coated Batt. Similarly, to achieve fire resistance insulation (I) with metal pipes such as steel or copper, the pipes must be lagged with a 1m length of ROCKWOOL Fire Tube or Pipe Section (minimum 40mm wall thickness) protruding equal distances from both faces of the Ablative Coated Batt. The joint between the Ablative Coated Batt and the pipe insulation must be pointed with the FIREPRO® Sealant. Where the pipe has been thermally lagged with a combustible insulation, this must be cut away and replaced with the ROCKWOOL insulation, as above. Ensure the integrity of any vapour control layer is re-instated as necessary. The joint between the Batt and Fire Sleeve or Fire Tube must be pointed with the FIREPRO® Sealant.

Load-bearing seals

FIREPRO® Ablative Coated Batts are not intended for use as load-bearing seals. Where a load-bearing seal is required, ROCKWOOL Firestop Compound should be considered.

Fire performance

ROCKWOOL Ablative Coated Batt has been tested to the dedicated fire resistance standard for penetration seals - EN 1366-3. The independently prepared assessment, detailing the full scope of fire performance, is available from the ROCKWOOL Technical Solutions Team. Ablative Coated Batt fire resistance tests were conducted using ROCKWOOL Acoustic Intumescent Sealant and/or ROCKWOOL.

Acoustic data

Tested for head of wall:

- Rw= up to 48db (2 x Coated Batts)
- Rw= up to 37db (1 x Coated Batts)

The correct use of Coated Batt within concealed cavities and voids will reduce the level of transmitted sound:

- Rw= up to 52 db (2 x Coated Batts) – incorporating 48mm O/D PVC /15mm copper pipe penetrations.
- Rw= up to 34 db (1x Coated Batts) – incorporating 48mm O/D PVC /15mm copper pipe penetrations.

Further acoustic test data is available for use in facefix applications. Contact the ROCKWOOL Technical Solutions Team.

Technical advice

For specific integrity and insulation ratings for the various services, please consult ROCKWOOL Standard Details, available via the ROCKWOOL Technical Solutions team.

ROCKWOOL Limited
Pencoed
Bridgend
CF35 6NY

info@rockwool.co.uk
www.rockwool.co.uk

ROCKWOOL®

ROCKWOOL Limited reserves the right to alter or amend the specification of products without notice as our policy is one of constant improvement. The information contained in this data sheet is believed to be correct at the date of publication.

Whilst ROCKWOOL will endeavour to keep its publications up to date, readers

will appreciate that between publications there may be pertinent changes in the law, or other developments affecting the accuracy of the information contained in this data sheet.

The above applications do not necessarily represent an exhaustive list of applications for 50mm Ablative Coated Batt. ROCKWOOL Limited does not accept

responsibility for the consequences of using 50mm Ablative Coated Batt in applications different from those described within this data sheet. Expert advice should be sought where such different applications are contemplated, or where the extent of any listed application is in doubt.

CREATE AND PROTECT®